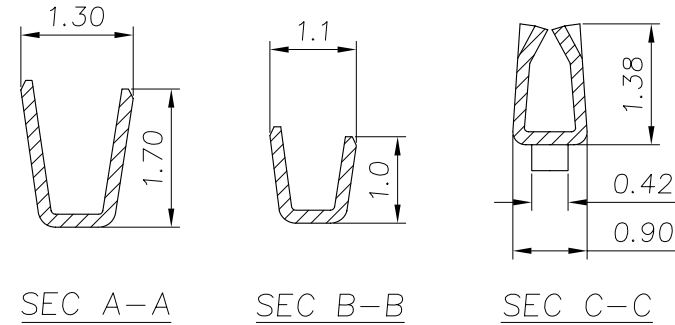
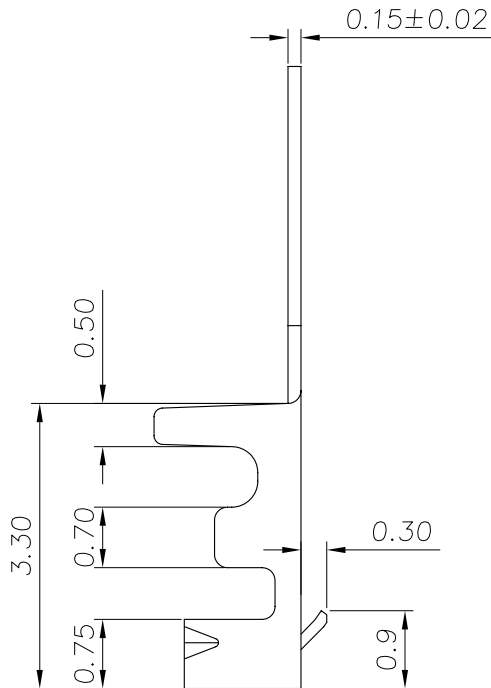
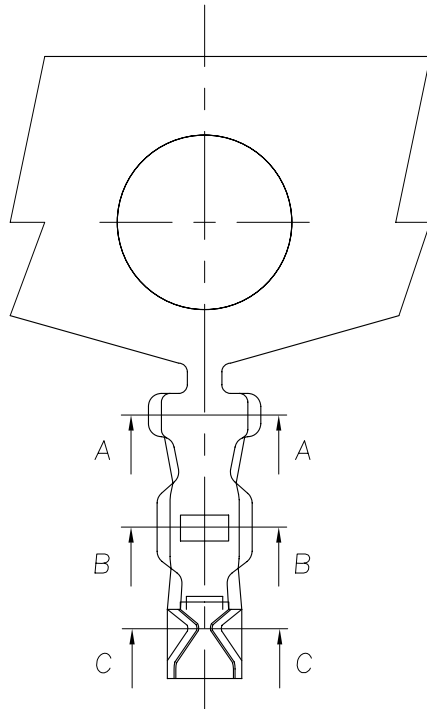


THIS DRAWING IS UNPUBLISHED. RELEASED FOR PUBLICATION AUG. 2006.  
 © COPYRIGHT 2009 BY TYCO ELECTRONICS CORPORATION. ALL RIGHTS RESERVED.

LOC		DIST		REVISIONS			
P	LTR	DESCRIPTION		DATE	DWN	APVD	
	C1	REVISED (ECR-10-025473)		13DEC10	JL	WK	



NOTE:

- MATERIAL:  
TERMINAL: PHOSPHOR BRONZE.
  - FINISH:  
THICKNESS : PLEASE SEE TABLE.  
(A) 440147-1: TIN-LEAD PLATE AND 1.27um MIN. NICKEL UNDERPLATE OVER ALL.  
(B) 440147-2: GOLD PLATE IN CONTACT AREA, 1.27um MIN. NICKEL UNDERPLATE OVER ALL.
  - APPLY HOUSING PART NO: X-440146-X.
  - APPLICATION SPECIFICATION: 114-57016.
  - APPLICABLE WIRE RANGE: AWG #28-#32.
- ⚠ REPLACEMENT P/N: 1734193-1 (LEAD-FREE)

⚠ OBSOLETE	/	0.76 μm	440147-2
	-	2.0 μm	440147-1
	TIN-LEAD PLATING	GOLD PLATING	PART NUMBER

THIS DRAWING IS A CONTROLLED DOCUMENT.		DWN O. HU	29JUL2003	Tyco Electronics Corporation Taipei, Taiwan	
DIMENSIONS: MM		CHK A. WU	29JUL2003		
TOLERANCES UNLESS OTHERWISE SPECIFIED:		APVD J. CHENG	29JUL2003	NAME	
0 PLC ± - 1 PLC ± 0.15 2 PLC ± 0.10 3 PLC ± 0.05 4 PLC ± - ANGLES ± 3'		PRODUCT SPEC 108-57225		WIRE TO BOARD SOCKET, TERMINAL	
MATERIAL SEE NOTE		APPLICATION SPEC 501-57229		SIZE A3	CAGE CODE 00779
FINISH SEE NOTE		WEIGHT -		DRAWING NO C=440147	RESTRICTED TO -
CUSTOMER DRAWING				SCALE -	SHEET 1 OF 2
				REV C1	

4

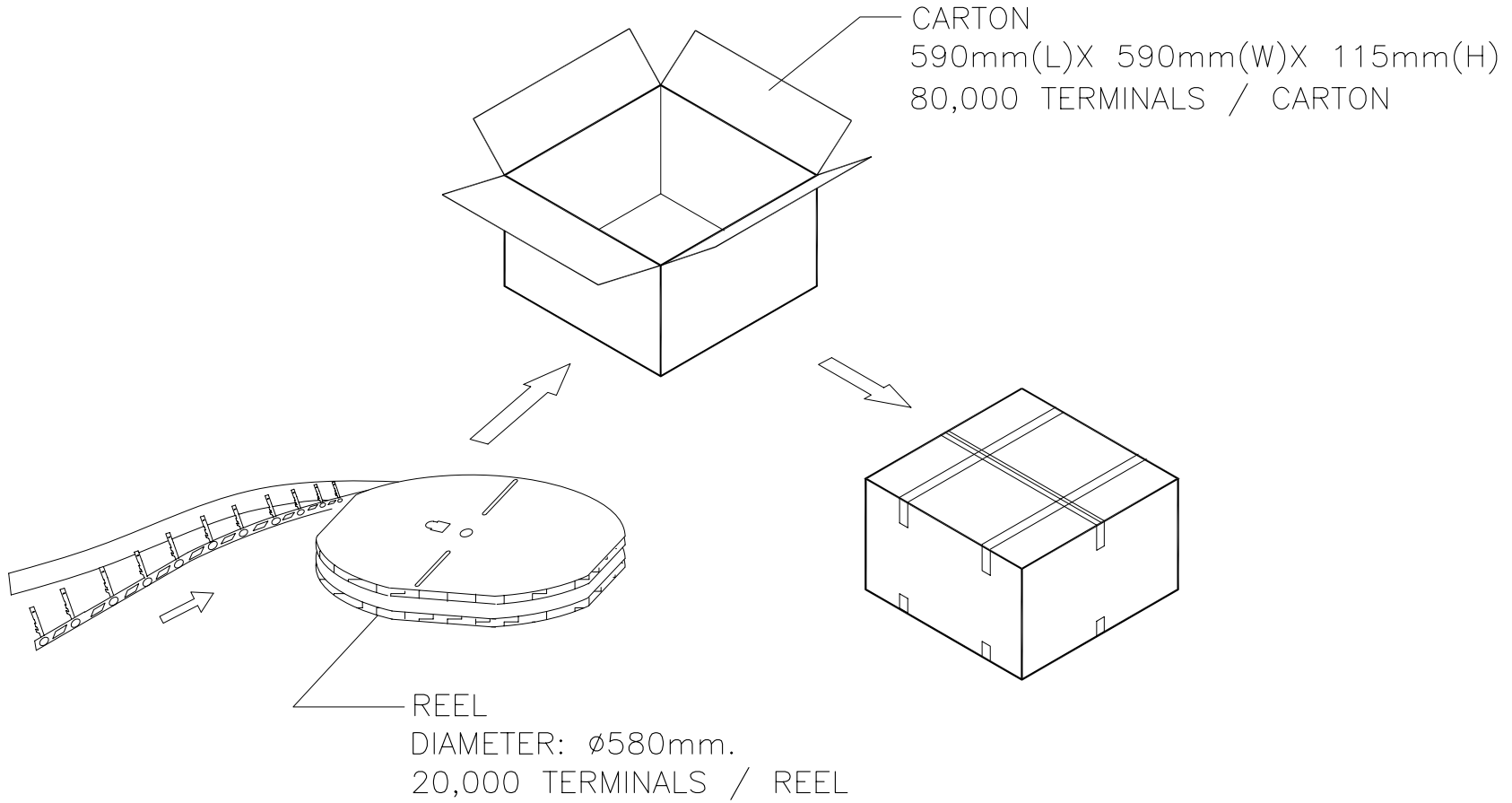
3

2

1

THIS DRAWING IS UNPUBLISHED.      RELEASED FOR PUBLICATION      AUG ,2006.  
 © COPYRIGHT 2009 BY TYCO ELECTRONICS CORPORATION.      ALL RIGHTS RESERVED.

LOC DW	DIST	REVISIONS			DATE	DWN	APVD
P	LTR	DESCRIPTION					
		SEE SHEET 1.					



THIS DRAWING IS A CONTROLLED DOCUMENT.		DWN	Tyco Electronics Corporation	
DIMENSIONS: MM		CHK	Taipei, Taiwan	
TOLERANCES UNLESS OTHERWISE SPECIFIED:		APVD	NAME	
0 PLC ± -		PRODUCT SPEC	WIRE TO BOARD SOCKET, TERMINAL	
1 PLC ± -		APPLICATION SPEC	SIZE	CAGE CODE
2 PLC ± -		WEIGHT	A3	00779
3 PLC ± -		CUSTOMER DRAWING	DRAWING NO	RESTRICTED TO
4 PLC ± -			©=440147	
ANGLES ± -		SCALE	SHEET	REV
FINISH			2 OF 2	C1